

# INSTALLATION GUIDE

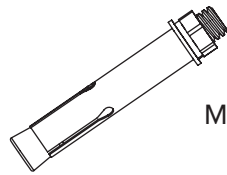
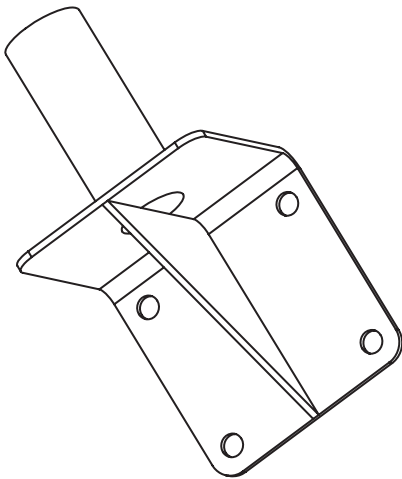
Last updated on 8 Nov 2024

## LUMINO Accessories

# VERTICAL WALL MOUNTING BRACKET

**Suitable for spigot sizes 40-60mm (Black)**

Compatible with both the LUMINO and LUMINO PRO ranges.



M8 expansion bolts - 4pcs

**Product code**  
HSWMBV4060

Vertical wall mounting bracket- 1pcs

# Vertical Wall-Mounted Bracket Installation Guide

## Preparation Before Installation

**Safety First:** Ensure the lamp's power is turned off and disconnected before starting the installation.

**Tools Required:**

8mm drill bit, M8 hex nut wrench, impact drill.

## Step-by-Step Installation

Step 1: Read through all instructions to understand the installation process.

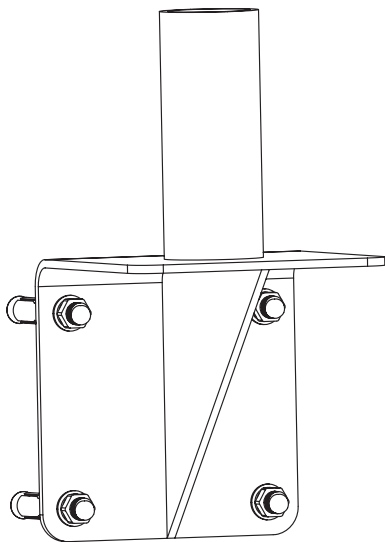
Step 2: Confirm all required tools and materials are ready for use.

Step 3: Using the 8mm drill bit and impact drill, drill four holes into the wall, aligned with the holes on the vertical wall-mounted bracket.

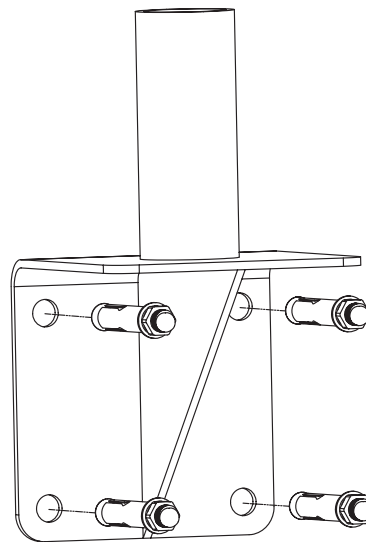
Step 4: Fix the horizontal bracket to the wall using M8 expansion bolts.

Step 5: Tighten the expansion bolts securely with the M8 hex nut wrench to complete the installation.

Step 4



Step 5



**SERVICE CONTACT:**



**HANECO**

Haneco Lighting Australia Pty Ltd  
262 Marion Road, Netley, South Australia 5037  
Haneco.com.au  
1300 001 533